



SHIPS CLASSIFICATION MALAYSIA

SCM CIRCULAR

**TO SHIPOWNERS, SHIPYARDS, MASTERS,
AGENTS AND RELEVANT INTEREST PARTIES**



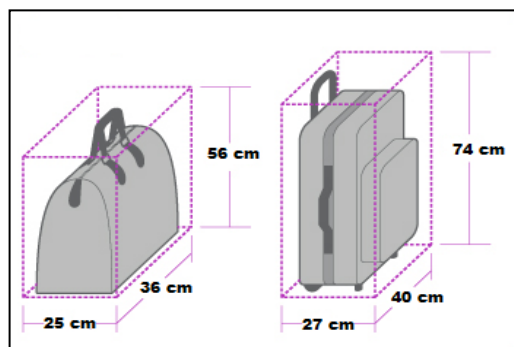
QUALITY MATTERS

Issue No	01/2015	Issue Date	11 FEBRUARY 2015
----------	---------	------------	------------------

TITLE	LUGGAGE COMPARTMENT ARRANGEMENT FOR PASSENGER SHIPS
--------------	--

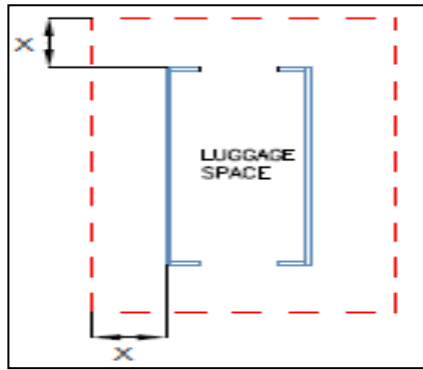
To All Owners, Managers, Ship Builder and Designer of Malaysian Vessels,

1. New requirements is enforced with regards to the luggage compartment arrangement which applicable to **all new and existing passenger ferries** regardless of any construction materials.
2. Related parties must ensure that the passenger ship is constructed, maintained and operated in accordance to the requirement stipulated by MARDEP.
3. Vessel shall be designed to allow each passenger to carry luggage, to be stowed in the luggage compartment and a separate hand luggage.
4. A total luggage compartment of at least 0.13 cubic meters for each passenger shall be provided to store luggage which is shall not obstruct the passageway leading to any exit.
5. Having regard to the purpose of the ship, the closures of the exterior openings of the luggage compartments shall be appropriately weathertight. Provision shall be made to prevent shifting of luggage having due regard to occupied compartments and accelerations likely to arise. If safeguarding by positioning is not practicable, an adequate means of restraint for the luggage shall be provided.
6. Luggage shall be stowed properly and not be an obstacle in the event of an emergency evacuation.
7. Proposed luggage dimension :
 - Hand Carry : 56 cm x 36 cm x 25 cm
 - Cargo : 74 cm x 40 cm x 27 cm
 - Total : 0.13 m³
 - Hand Carry Luggage Weight (Maximum) : 7 kg
 - Cargo Luggage Weight (Maximum) : 25 kg
 - Total : 32 kg

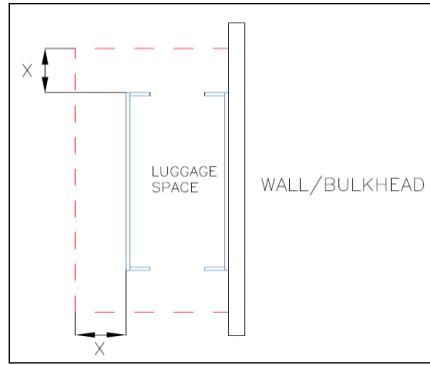


Hand Carry Luggage Cargo Luggage

8. Luggage space must be unobstructed and has a open space limit of at least 750mm from the storage space except if it located next to wall or bulkhead



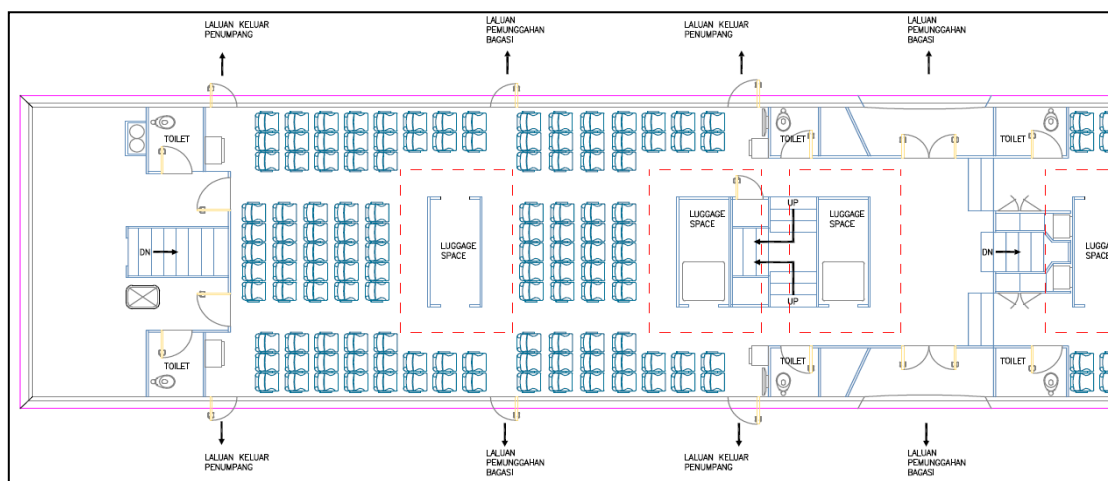
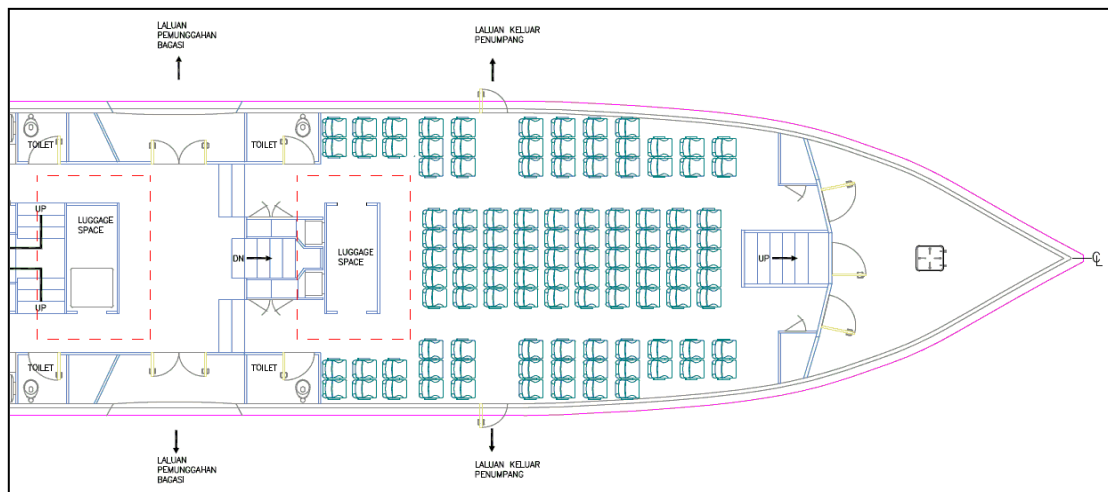
Luggage space limit, $X \Rightarrow 750 \text{ mm}$



Luggage space next to wall/bulkhead

9. Route for luggage handling shall be separated from the passenger's access and shall not be placed in the emergency lane.

10. Arrangement Example:



For further information you may contact:

Ships Classification (Malaysia) Sdn. Bhd.

Wisma SCM, No. 2 & 3, Block 2, Presint Alami, Persiaran Akuatik,
Seksyen 13, 40675 Shah Alam, Selangor Darul Ehsan, Malaysia.

Phone: (603) - 5513 8170

Fax: (603) - 5513 8086

Website : www.myscm.com.my

Email: infohq@myscm.com.my

Capt M.Prathaban

H/P:012 2997278

Email: mprathaban@myscm.com.my

Marby Rohani

H/P:012 6071147

Email: marby@myscm.com.my

Mohd Nor Sahat

H/P:012 234 9521

Email: mdnor@myscm.com.my

Sosanto Yusup

H/P:013 3841229

Email: sosanto@myscm.com.my